

PictoGraphix Inc.

DESIGNS

Product Catalogue



Casements / Holders · Plaques · Photoluminescent Mounting Materials · Custom Graphics · Printing



Building evacuation plans, fire evacuation maps and emergency exit signs are essential to meet fire and building code requirements. Pictographix provides custom building evacuation maps and safety signs, including photoluminescent exit signs and photoluminescent egress path marking systems. Building evacuation maps are carefully designed to meet all client and fire code requirements. A wide choice of evacuation sign holders and plan casements are offered.

We provide the largest selection of displays and casements to protect your evacmap diagrams. Our custom cut plaques are designed to meet all your environmental and aesthetic requirements. Utilizing the latest in UV safe print and CNC router cutting technology, Evacmap diagrams can be printed to virtually any media.

Graphics Services



Our graphic design team can produce your custom evacuation plans in a simple, aesthetic and easy-to-read manner. We adhere to specific fire codes while maintaining an aesthetically pleasing graphical style.

Printing Services



Wide format printing with a flat-bed multi-color printer - prints up to 4'x8'. Print to virtually any media (foam core, Di-bond, sintra, acrylic). Plaque cut to any size or shape with CNC router cutting services.

Display Types



Plaques - Direct digital print to PVC, acrylic or aluminum

Artwork is digitally printed to media surface or subsurface using UV cured ink. CNC router cutting technology allows for custom sign shapes, rounded corners and pre-drilled holes for surface mounting. Plaques are durable and cost effective.



Casements & Holders - Digital print housed within a durable display

Artwork is printed to paper using UV cured ink and housed within a quality casement. A wide selection of durable/vandal-resistant casements are available. The artwork can be interchanged if floor plan updates are required.



Photoluminescent Casements - Evacuation diagrams that glow in the dark - Highest glow in the industry!

The artwork is digitally printed to acetate media and placed into photoluminescent casements that have a glow-in-the-dark backer. In the event of a power failure, evacuation diagrams will be legible for the duration of the evacuation. The artwork can be interchanged if floor plan updates are required.

Mounting Materials



Mounting Hardware - Specialty screw/cap and stand-off hardware.

Mounting Tapes - Permanent adhesive tapes.

S - Sintra (PVC) Plaque

[View Product Online](#)

Color printing to PVC Surface with UV cured inks.

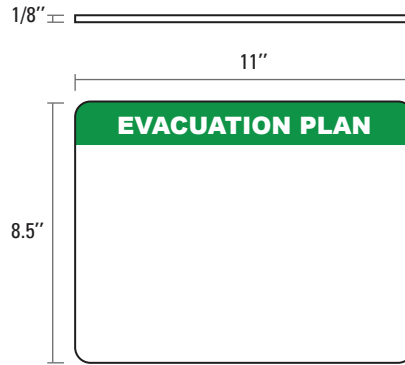
1/8" thick plaque.
Matte finish.
White.

Straight or rounded corner options available.
Pre-drilled corner holes for surface mounting.

Product No.	Available Sizes
S811	8.5"x11"
S814	8.5"x14"
S1212	12"x12"
S1117	11"x17"
S-CUS	Custom sizes

Mounting Options:

- Adhesive tape
- Pre-drilled holes - screws & caps



AC - Acrylic Plaque

[View Product Online](#)

Artwork is reverse printed to 1/8" acrylic with applied PVC backer. Printed with UV cured inks.

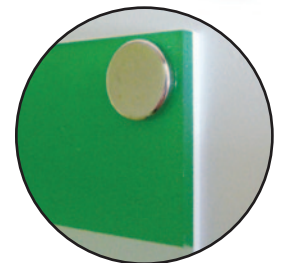
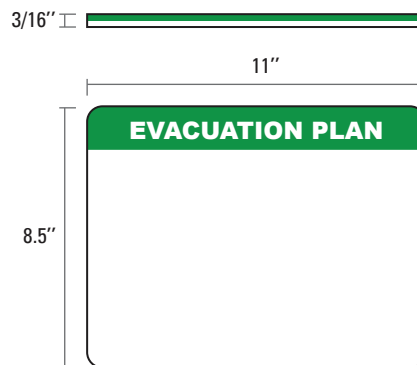
3/16" thick plaque.
Non-glare.

Straight or rounded corner options available.
Pre-drilled corner holes for surface mounting.

Product No.	Available Sizes
AC811	8.5"x11"
AC814	8.5"x14"
AC1212	12"x12"
AC1117	11"x17"
AC-CUS	Custom sizes

Mounting Options:

- Adhesive tape
- Pre-drilled holes - screws & caps
- Pre-drilled holes - stand-off hardware



BRAL - Aluminum Plaque

[View Product Online](#)

Color printing to aluminum surface with UV cured inks.

1/8" thick plaque.

Di-Bond brushed aluminum. Glare or non-glare.

Silver, grey or brass finish available - special order.

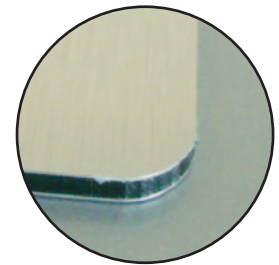
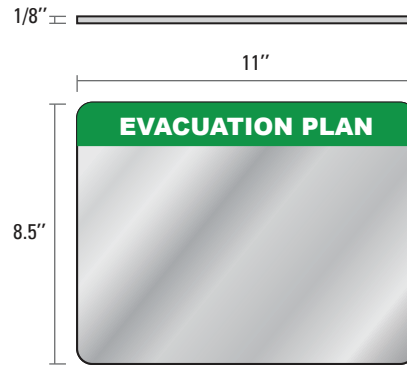
Straight or rounded corner options available.

Pre-drilled corner holes for surface mounting.

Product No.	Available Sizes
BRAL811	8.5"x11"
BRAL814	8.5"x14"
BRAL1212	12"x12"
BRAL1117	11"x17"
BRAL-CUS	Custom sizes

Mounting Options:

- Adhesive tape
- Pre-drilled holes - screws & caps
- Pre-drilled holes - stand-off hardware



WAL - White Aluminum Plaque

[View Product Online](#)

Color printing to white aluminum surface with UV cured inks.

1/8" thick plaque.

Di-Bond white aluminum.

Non-glare.

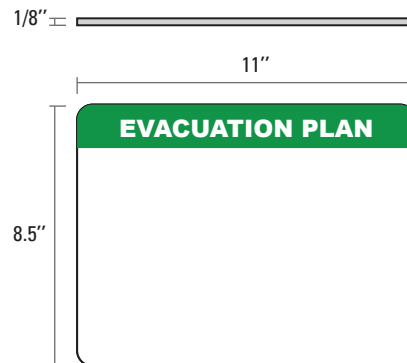
Straight or rounded corner options available.

Pre-drilled corner holes for surface mounting.

Product No.	Available Sizes
WAL811	8.5"x11"
WAL814	8.5"x14"
WAL1212	12"x12"
WAL1117	11"x17"
WAL-CUS	Custom sizes

Mounting Options:

- Adhesive tape
- Pre-drilled holes - screws & caps
- Pre-drilled holes - stand-off hardware



AGE - 3/8" Acrylic Stand-Off Plaque

[View Product Online](#)

Stand-off design with high gloss surface.

3/8" thick plaque.

Edges flame treated for glass-like appearance.

Rounded corners

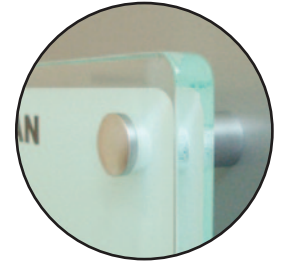
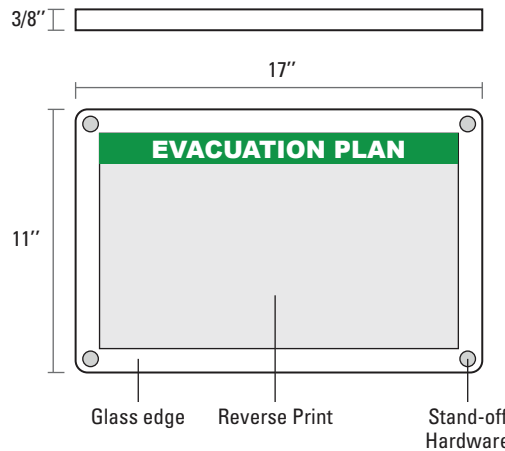
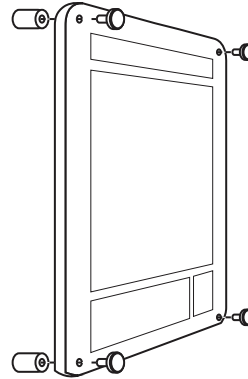
Pre-drilled corner holes for surface mounting / stand-off.

Mounting hardware sold separately.

Product No.	Available Sizes
AGE811	8.5"x11"
AGE814	8.5"x14"
AGE1212	12"x12"
AGE1117	11"x17"
AGE-CUS	Custom sizes

Mounting Hardware Required:

- Pre-drilled holes - stand-off hardware





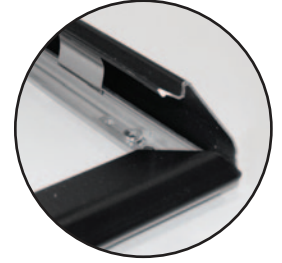
QC - Quick Clip Display

[View Product Online](#)

Aluminum trim snaps open to accommodate paper media.
Non-glare plastic cover.
Rounded, snap-open aluminum trim.
Pre-drilled, hidden mounting holes.

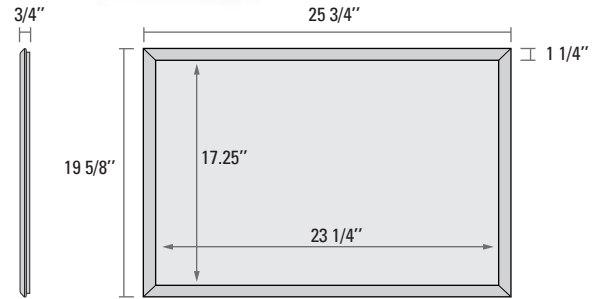
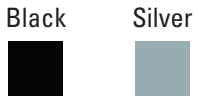
Black or silver trim available.

Mounting hardware / plugs included



Product No.	Available Sizes
QC811	8.5"x11"
QC1117	11"x17"
QC1824	18"x24"
QC2436	24"x36"
QC****	Call for larger

Color Options:



SL - Slide-in Display

[View Product Online](#)

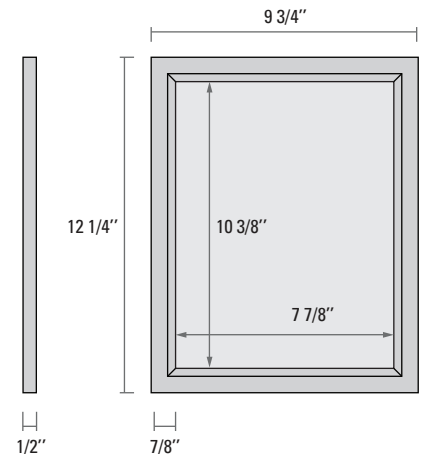
Artwork slides in from top.
Non-glare plastic cover.
Rounded aluminum trim.
Mounting holes.
Mounting hardware / plugs included.

Black or silver trim available.



Product No.	Available Sizes
SL811	8.5"x11"
SL1117	11"x17"

Color Options:





AL Curve - Curved Extruded Aluminum Casement

[View Product Online](#)

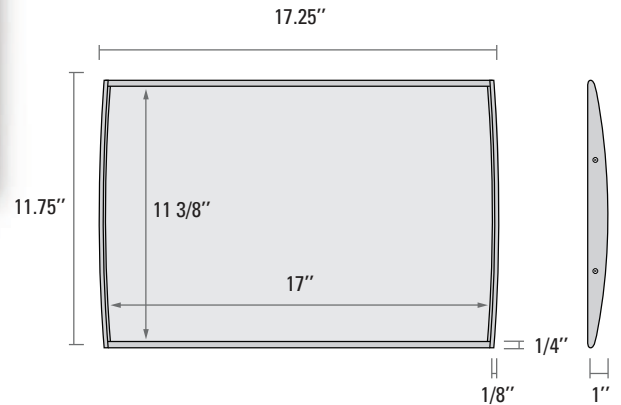
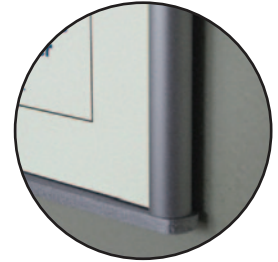
Curved solid aluminum extrusion.
PVC or aluminum end caps with screws.
Clear acrylic lens.

Black, natural silver or gold available.
Matching end caps.

Pre-drilled extrusion.

Product No.	Available Sizes
AL811	8.5"x11"
AL1212	12"x12"
AL814	8.5"x14"
AL1117	11"x17"
AL-CUS	custom sizes

Color Options:



SNAL - Snap Frame Casement

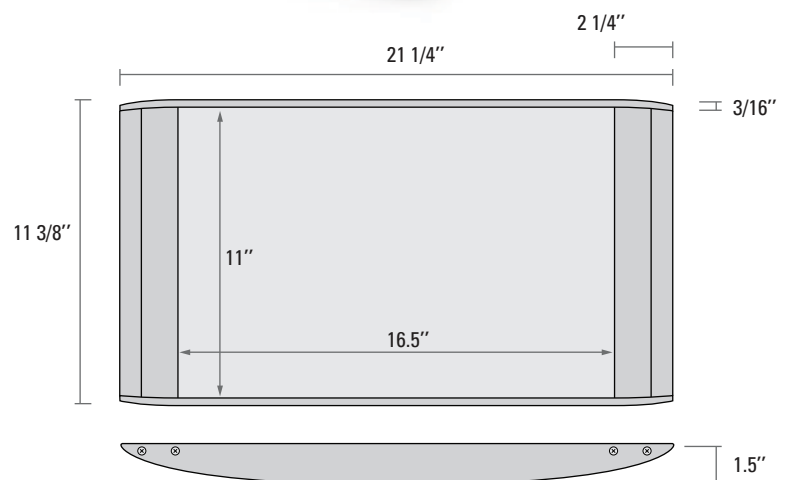
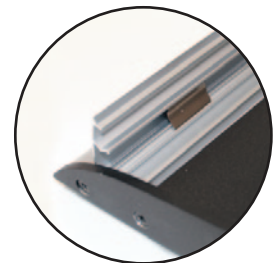
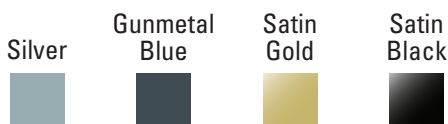
[View Product Online](#)

Snap frame extrusion with springs.
Hidden mounting holes.
2 metal end caps.
Clear cover.
Backer board.

Color combinations available: clear anodized (silver),
gunmetal blue, satin gold, satin black.

Product No.	Available Sizes
SNAL811	8.5"x11"
SNAL814	8.5"x14"
SNAL1212	12"x12"
SNAL1117	11"x17"
SNAL-CUS	Custom sizes

Color Options:

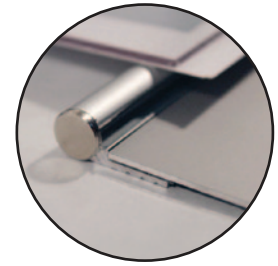




IN - Infinity Frame

[View Product Online](#)

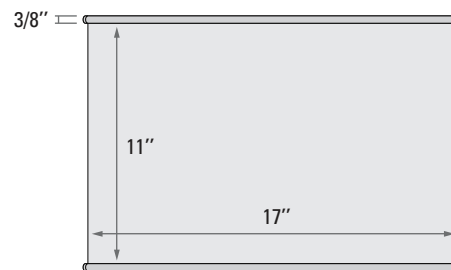
Matte finish aluminum frame.
Clear non-glare 3/16" (2mm) plastic cover
Pre-drilled or VHB tape mounting options.
Single-sided or double-sided.
Flush mount or flag mount (bracket available).
Suction cup included for removal of cover.
Custom-cut to any size.



Product No.	Available Sizes
IN811	8.5"x11"
IN814	8.5"x14"
IN1212	12"x12"
IN1117	11"x17"
IN-CUS	Custom

Color Options:

Silver



INMAG - Infinity Mag Frame

[View Product Online](#)

Artwork slides in from top or side.
Removable magnetic trim for artwork placement.
Non-glare plastic cover.
Pre-drilled mounting holes option available.

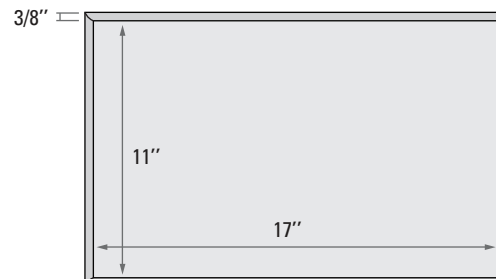
Silver trim available.



Product No.	Available Sizes
INMAG811	8.5"x11"
INMAG814	8.5"x14"
INMAG1212	12"x12"
INMAG1117	11"x17"
INMAG-CUS	Custom

Color Options:

Silver

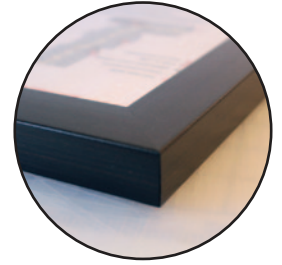




WF - Wood-like Frame

 [View Product Online](#)

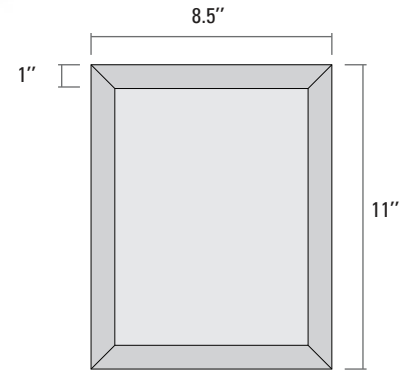
Framing for this product is done in house.
Wood-like frame.
Dark brown finish.
Frame dimensions: 1" Border, 1 7/8" depth.
Non-glare plastic lense cover (1/8" thick).
Print is dry-mounted to 1/8" foamcore (included)
Mounted with VHB tape (included/optional)
Custom-cut to any size.



Product No.	Available Sizes
WF811	8.5"x11"
WF814	8.5"x14"
WF1212	12"x12"
WF1117	11"x17"
WF-CUS	Custom


Color Options:

Dark Brown



PLIN - Infinity Frame

 [View Product Online](#)

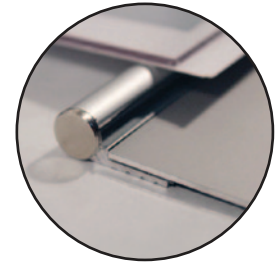
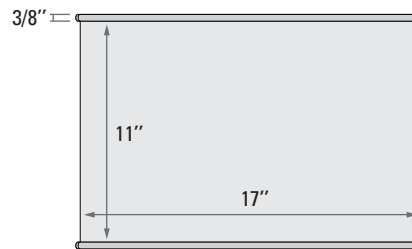
High-glow backer. 

Matte finish aluminum frame.
 Clear non-glare 3/16" (2mm) plastic cover
 Pre-drilled or VHB tape mounting options.
 Single-sided or double-sided.
 Flush mount or flag mount (bracket available).
 Suction cup included for removal of cover.
 Custom-cut to any size

Product No.	Available Sizes
INPL811	8.5"x11"
INPL814	8.5"x14"
INPL1212	12"x12"
INPL1117	11"x17"
INPL-CUS	Custom


Color Options:

Silver



PLINMAG - Infinity Mag Frame

 [View Product Online](#)

High-glow backer. 

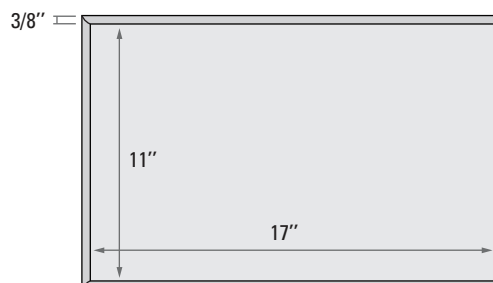
Artwork slides in from top or side.
 Removable magnetic trim for artwork placement.
 Non-glare plastic cover.
 Pre-drilled mounting holes option available.

Silver trim available.

Product No.	Available Sizes
PLINMAG811	8.5"x11"
PLINMAG814	8.5"x14"
PLINMAG1212	12"x12"
PLINMAG1117	11"x17"
PLINMAG-CUS	Custom


Color Options:

Silver



PLAL Curve - Curved Extruded Aluminum Casement

[View Product Online](#)

High-glow backer. 

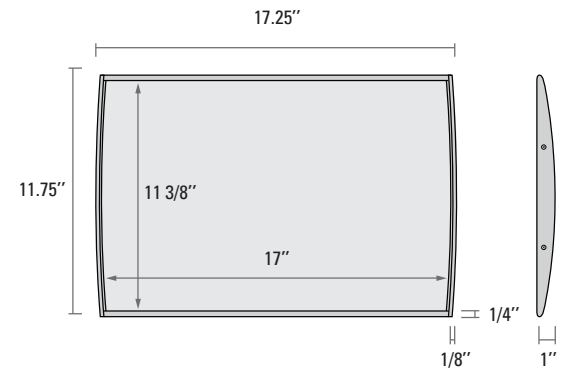
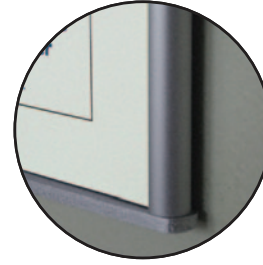
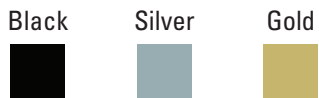
Curved solid aluminum extrusion.
PVC or aluminum end caps with screws.
Clear acrylic lens.

Black, natural silver or gold available. Matching end caps.

Pre-drilled extrusion.

Product No.	Available Sizes
PLAL811	8.5"x11"
PLAL1212	12"x12"
PLAL814	8.5"x14"
PLAL1117	11"x17"

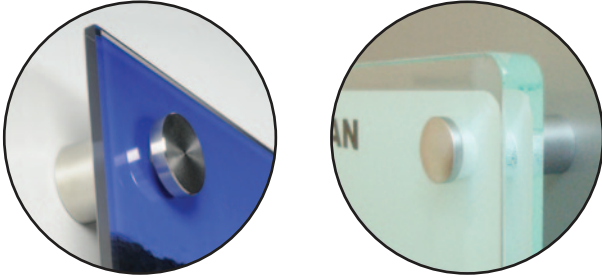
Color Options:



Stand-Off Hardware

[View Product Online](#)

4 stand-off units / Set
Machined aluminum with polished finish



Product No.	Material	Cap Size	Spacer Length	Thread Size
S01925-SS	Stainless Steel	3/4"	1"	3/8"
S01919-SS	Stainless Steel	3/4"	3/4"	3/8"
S01616-SS	Stainless Steel	5/8"	5/8"	5/16"
S01319-BSS	Brass (Satin Silver Finish)	1/2"	3/4"	5/16"
S01319-BSC	Brass (Satin Chrome Finish)	1/2"	3/4"	5/16"



S01925-SS



S01919-SS



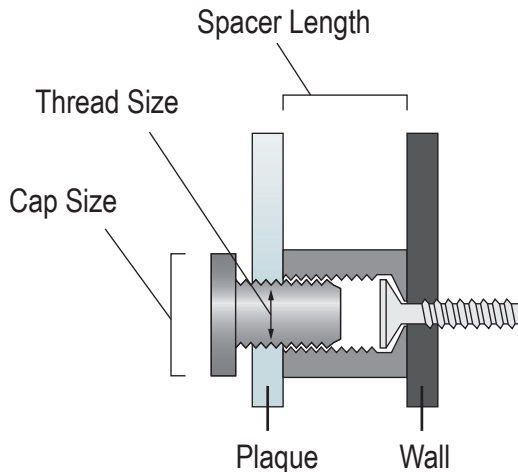
S01616-SS



S01319-BSS



S01319-BSC





Screw Cap Hardware

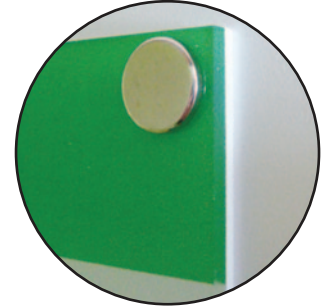
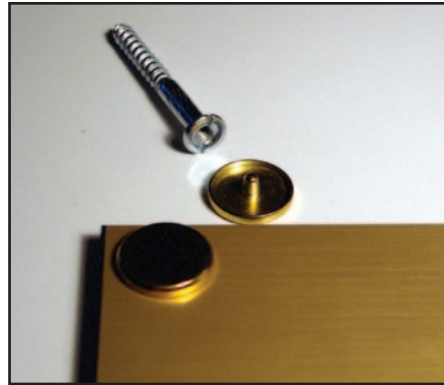
[View Product Online](#)

Metal cover caps for decorative screws.
1 screw & 1 metal cap / Set.

Product No.	Material	Cap Diameter	Screw size
SCN	Nickel	0.59" (15mm)	1.57" (40mm)
SCB	Brass	0.59" (15mm)	1.57" (40mm)

Color Options:

Silver Brass

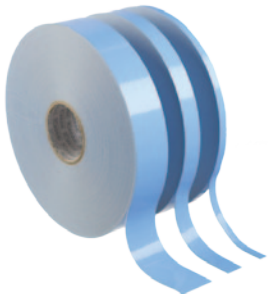


Permanent Mounting Tape

[View Product Online](#)

Double-sided mounting tape.
Quality acrylic tape (not foam tape) does not dry out over time.
Attach items up to 6 pounds to virtually any smooth surface.
Lasts for years.

Product No.	Material	Size
TP001	Acrylic (VHB)	3/4" Wide (45mm) / 0.45" Thick



Digital Printing Services

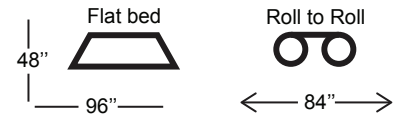
We use Fujifilm's Acuity Advance digital flatbed printer for all print jobs. The Acuity Advance is specifically designed for print applications requiring fine detail and high-resolution imaging. It delivers both rigid and flexible prints. A variable droplet printer, the Acuity Advance is renowned for its exceptional image quality as well as sharp, clean text.

Description

Wide format, Flatbed, Digital printing
Prints up to 4'x8'
UV Cured inks
Prints to virtually any media

Media

Acrylic
Sintra
Brushed Aluminum (Di-bond)
Foam Core



UV
ink

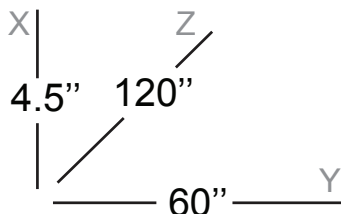


Fuji Film
Acuity Advance

CNC Router Cutting

We use the MultiCam 1000 Series Router for custom plaque cuts and drill holes. The MultiCam 1000 Series Router has more standard features than any other machine in its class, and is the perfect solution for sign manufacturing and applications requiring value and performance.

Cut plaques to any custom shape, round corners, or pre-drill mounting holes using CNC router cutting technology.



MultiCam
1000 Series Router